

COMMERCIAL DATA SHEET

Quadra Twin Plus 15 XL & Gooseneck

Billi®

Billi Quadra Twin Plus 15 with XL Levered Dispenser & Gooseneck Mixer

Enjoy all the space saving benefits of Billi's water cooled boiling and chilled Quadra systems PLUS TWO separate sink mixers to ensure safety and enhanced convenience for all users.

Requiring only cold feed mains supply, the Quadra Twin Plus mixes it's own hot water without the need for any additional under-bench space requirements or boosters.

Quadra Twin Plus models require no joinery ventilation and no more space than a standard Quadra boiling and chilled unit.

Supplied standard with a DDA compliant XL levered drinking water dispenser and two 6 star rated round gooseneck mixer taps, the solution is both functional and appealing.



BOILING



CHILLED



PLUS



Up to 100

XL Levered Dispenser

2 x Gooseneck Mixers

Quadra Plus Under-Bench Unit



PLUS



Features



SPACE SAVING DESIGN



SAFE TO OPERATE



ENERGY EFFICIENT



HEAT EXCHANGE TECHNOLOGY



WATER COOLED TECHNOLOGY



NO CUPBOARD VENTILATION REQUIRED



AUSTRALIAN DESIGNED & MADE






GREENTAG CERTIFIED



EASY INSTALLATION

PRODUCT SPECIFICATIONS

Water type	Product code	Model name	Dispenser	Suggested no. of people	50° hot water capacity litres (initial drawdown)	50° hot water delivery litres per hour	Boiling water delivery (cups per hour)*	Chilled water delivery (cups per hour)	Power supply (amps)
  BOILING CHILLED	904107LG	Quadra Twin Plus 15	XL Levered	Up to 100	15	85	250	175	15
 PLUS									

* Based on the initial number of cups of boiling water immediately available, drawn one cup every 10 seconds. For all underbench filtered water systems, consideration may be needed for usage patterns and draw-off methods. 1 cup = 170ml

Accessories

992800 - 70mm Riser & Font



992820 - 70mm Riser



992803 - 120mm Riser & Font



992830 - 120mm Riser



990714 - Tubing Extension Kit for Plus unit - 1.8mtrs

Finishes

Standard Finishes

CH - Chrome

BR - Brushed

MB - Matte Black

MW - Matte White

Special Order Finishes

RG - Rose Gold

BRG - Brushed Rose Gold

PL - Platinum

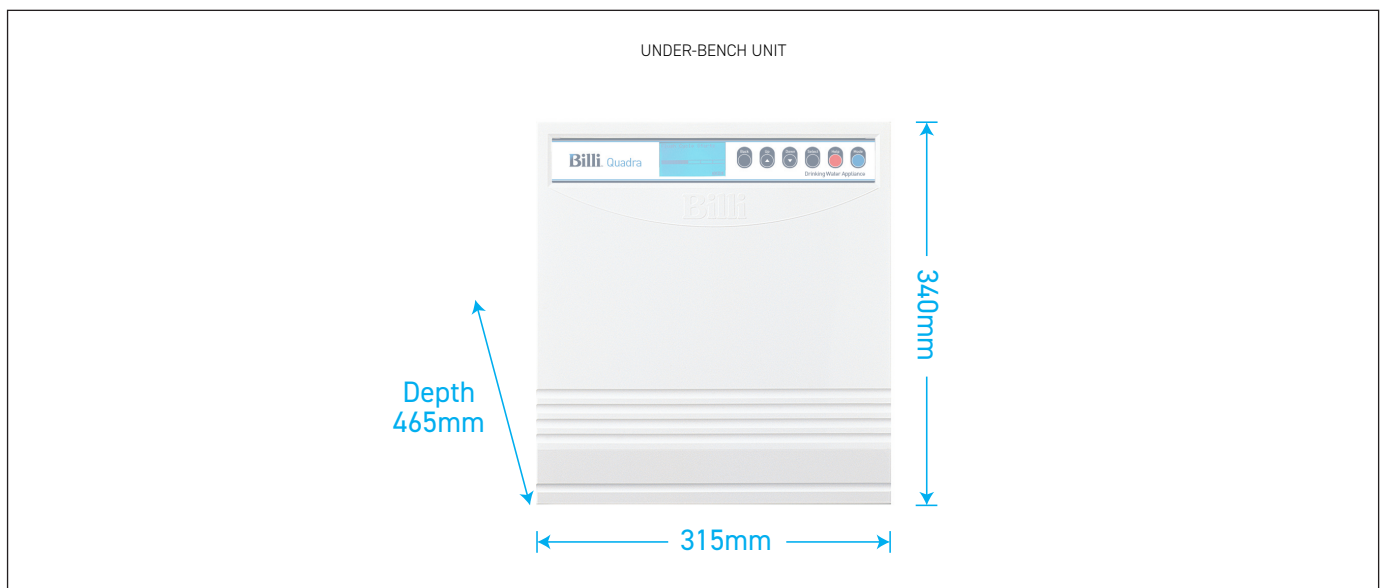
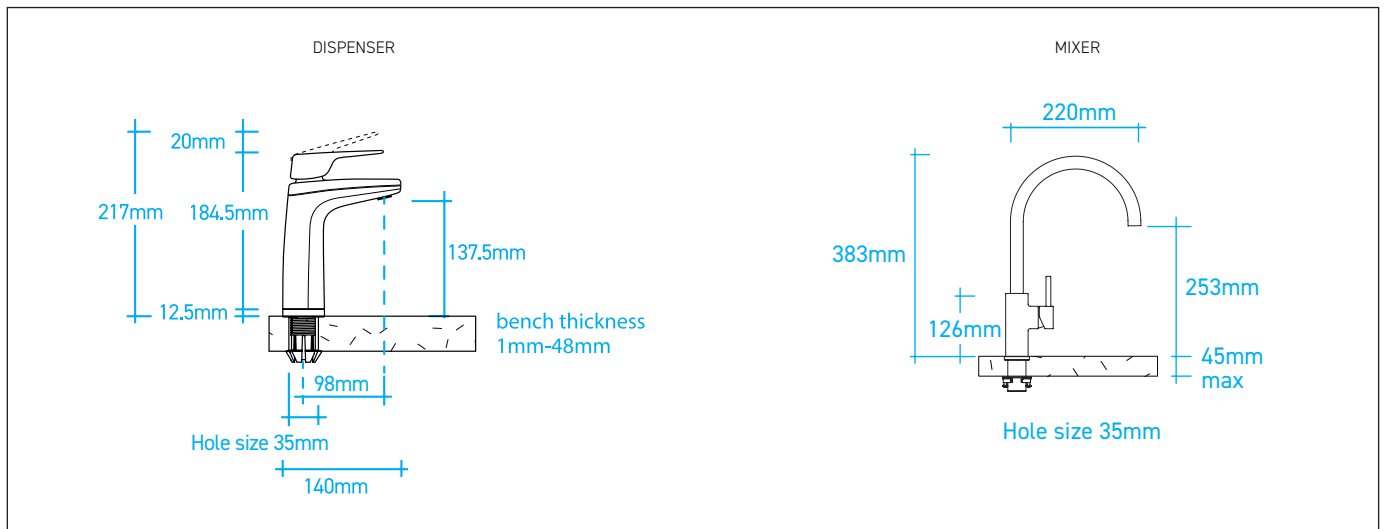
UB - Urban Brass

GM - Gun Metal Grey

Add the Finish code to the Product Code to finalise your specification, eg. 904107LGMB

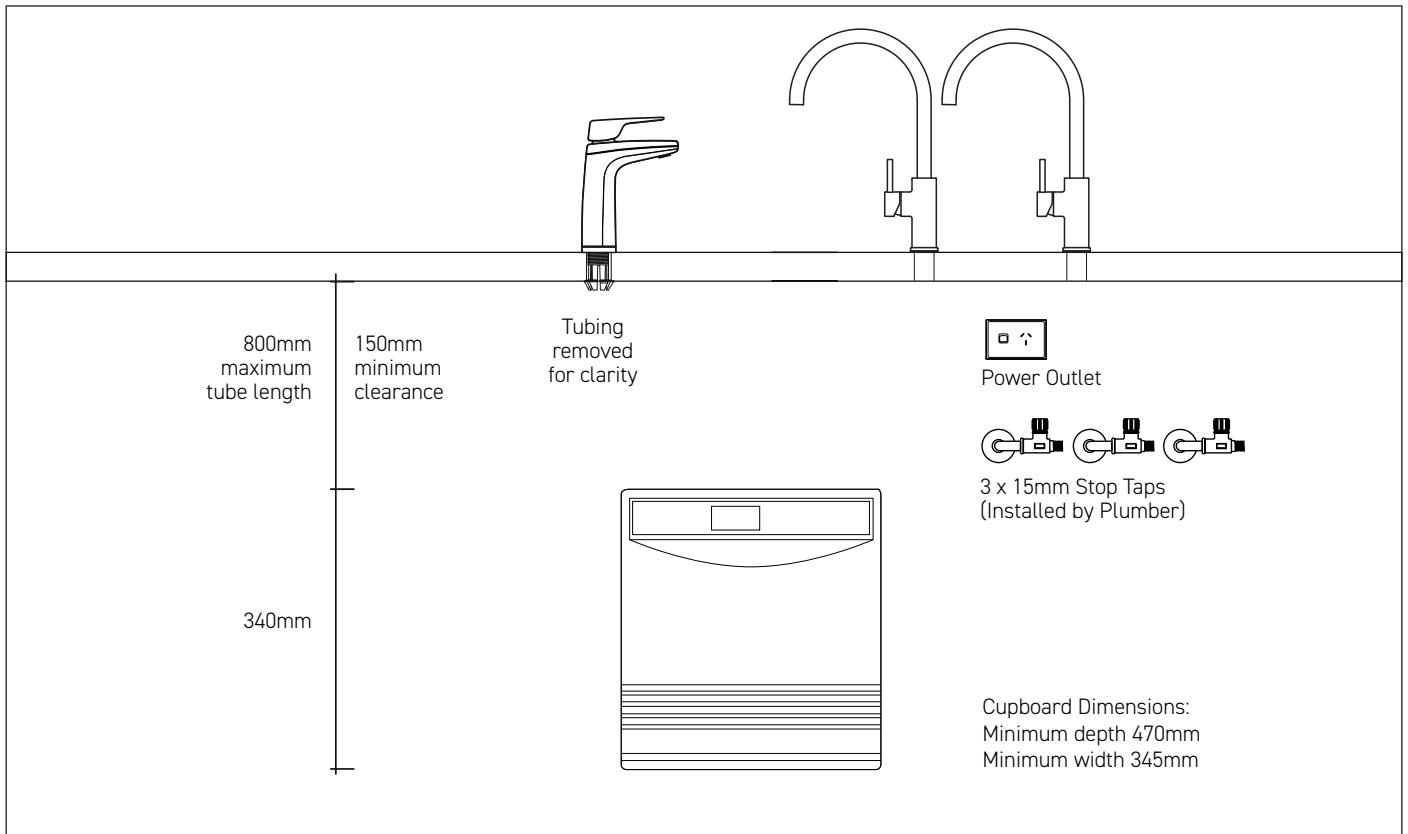
TECHNICAL DRAWINGS

PRODUCT DIMENSIONS



INSTALLATION REQUIREMENTS

PREFERRED INSTALLATION LAYOUT



WATER SUPPLY

Three (3) 1/2" BSP (15mm) stop-taps with male threads - one cold water supply to Quadra Plus and two cold water supply to Sink Mixer - should be installed in an easily accessible position. Water supply must be microbiologically safe to drink, with a dynamic pressure of 250kPa at each outlet.

POWER SUPPLY

A standard 15 amp power outlet is required, no further than 1000mm from the underbench unit. The system is supplied with a 1 metre flex cord and plug.

FILTRATION

Billi's range of premium filters utilise BWT's unique Fibron X technology. Billi's filter range provides superior taste, water quality, consistent filter life and peace of mind when it comes to hygiene.

Filter supplied: 994051 (5 micron). Replacement filters available: 994052 (0.2 micron), 994054 (HSD), 994055 (XPHSD), 994056 (Sediment only) and 994060 (0.2 micron sediment only).

CERTIFICATIONS

Every Billi drinking water appliance is manufactured under a certified quality control system. All Billi commercial range models have been tested and comply with all required standards including: Watermark: WM-021525; Certified to AS/NZ3498 and AS/NZ 4020; ISO9001:2015, QEC 11627; Section J6.6 of the BCA; Global GreenTag LCA Rate Gold; HACCP: PE-872-WAT-1-02; AS1428 DDA Compliant; WELL Cornerstone Member; WELS 6 star rating registration T40039.

WARRANTY

The Billi Quadra Twin Plus Range is covered by a comprehensive 2 year warranty on all parts and labour.

Billi®



Billi Australia Pty Ltd
42 Lucknow Crescent,
Thomastown, Victoria
3074 Australia

P 1800 812 321
F +61 3 9469 0499
W www.billi.com.au

visit us at



Designed and manufactured in Australia to the highest quality standards