

COMMERCIAL DATA SHEET

Sahara 3120 MMT



Billi Sahara 3120 with Gooseneck Multifunction Mixer Tap

The Sahara 3120 Boiling and Ambient drinking water system is a mid-range to large commercial capacity system, but still maintains Billi's core design principles of space saving while requiring no joinery ventilation.

Offering both boiling temperature water and a bottomless supply of filtered ambient temperature water, the Sahara range is convenient and functional.

The Good Design Award Winning Multifunction Mixer tap complements the space saving and multifunctional approach of Billi's Sahara range perfectly, negating the requirement for an additional domestic supply mixer tap while providing a sleek solution to dispensing filtered water.



BOILING **STILL**



Multifunction Mixer Tap

Sahara Under-Bench Unit



Features



SPACE SAVING DESIGN



SAFE TO OPERATE



AWARD WINNING DESIGN



ENERGY EFFICIENT



NO CUPBOARD VENTILATION REQUIRED



AUSTRALIAN DESIGNED & MADE



HACCP CERTIFIED



EASY INSTALLATION

PRODUCT SPECIFICATIONS

Water type	Product code	Model name	Dispenser	Suggested no. of people	Boiling water delivery (cups per hour)*	Still water delivery (cups per hour)	Power supply (amps)
<p>BOILING STILL</p>	943120G	Sahara 3120	Multifunction Mixer Tap	Up to 120	Up to 220	unlimited	15

* Based on a set volume of water being drawn every 30 seconds at an inlet temperature of average 21°C. Each cup equivalent to 170ml. Usage patterns and draw-off methods can impact recovery.

Accessories

990720 - Tubing Extension Kit for X series dual temp dispensers 2mtrs

Finishes

Standard Finishes

CH - Chrome	BR - Brushed
MB - Matte Black	MW - Matte White

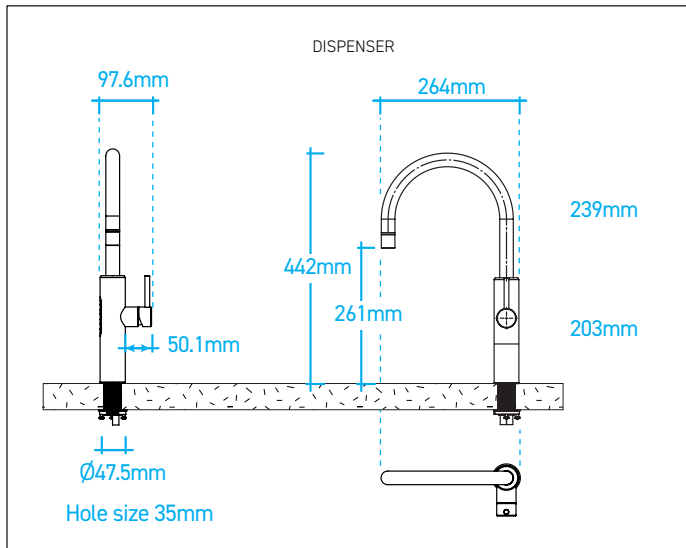
Special Order Finishes

RG - Rose Gold	BRG - Brushed Rose Gold
GM - Gun Metal Grey	UB - Urban Brass

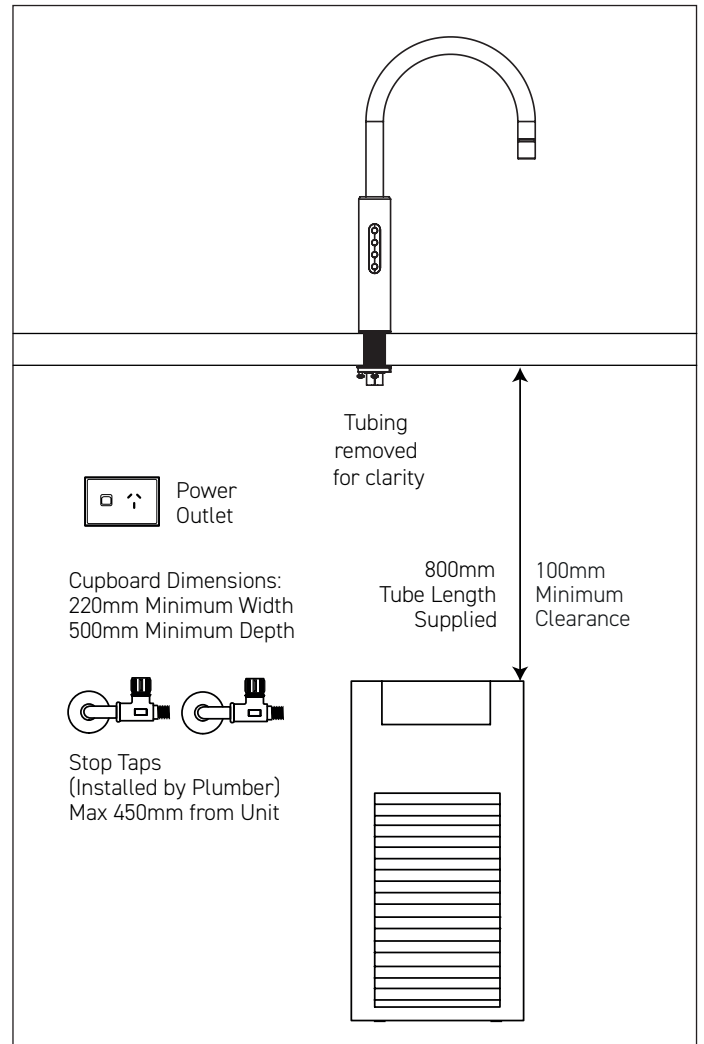
Add the relevant Finishes Code to the Product SKU to finalise your specification eg 932125GMB

TECHNICAL DRAWING & INSTALLATION REQUIREMENTS

PRODUCT DIMENSIONS



PREFERRED INSTALLATION LAYOUT



WATER SUPPLY

Domestic Cold and Hot mains supply is required via separate 1/2" BSP (15mm) stop-taps with male threads. These should be pre-installed in an easily accessible position. Water supply must be microbiologically safe to drink, with a minimum dynamic water pressure of 250kPa and a maximum of 1000kPa.

POWER SUPPLY

A standard 15 amp power outlet is required, no further than 1000mm from the underbench unit. The system is supplied with a 1 metre flex cord and plug.

WARRANTY

The Billi Sahara Range is covered by a comprehensive 2 year warranty on all parts and labour.

FILTRATION

Billi's range of premium filters utilise BWT's unique Fibron X technology. Billi's filter range provides superior taste, water quality, consistent filter life and peace of mind when it comes to hygiene.

Filter supplied: 994051 (5 micron). Replacement filters available: 994052 (0.2 micron), 994054 (HSD option), 994056 (Sediment only) and 994060 (0.2 micron Sediment Only).

CERTIFICATIONS

Every Billi drinking water appliance is manufactured under a certified quality control system. All Billi commercial range models have been tested and comply with all required standards including: Watermark: WM-021525; Certified to AS/NZ3498 and AS/NZ 4020; ISO 9001:2015, QEC 11627; Section J6.6 of the BCA; HACCP: PE-872-WAT-1-02; WELL Cornerstone Member; WELS 5 Star Rating: WM-021914.

Billi®

Billi Australia Pty Ltd

P 1800 812 321
W www.billi.com.au

Billi New Zealand Ltd

P 0800 636 0 636
W www.billi.co.nz

visit us at

